

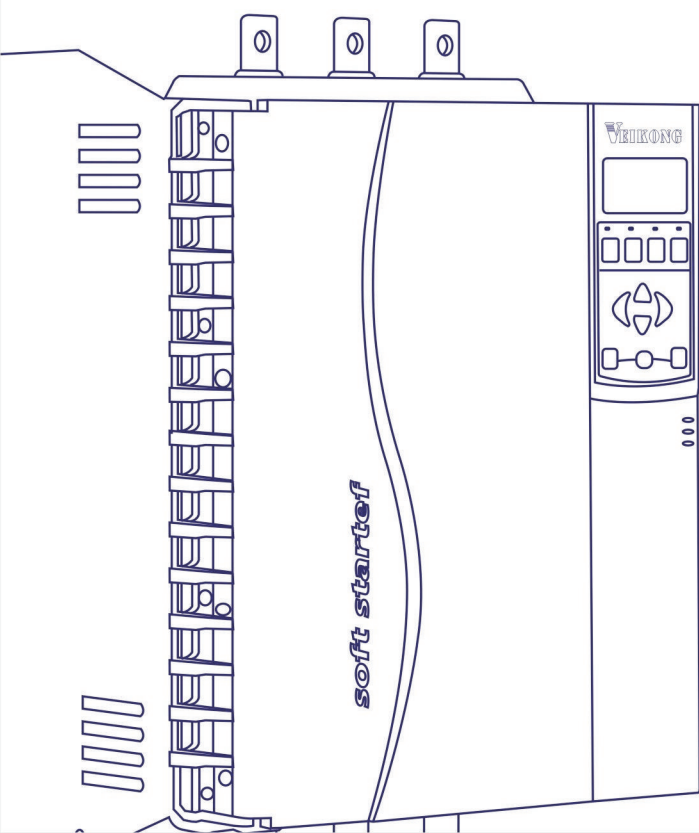
VEIKONG

Innovation and Creativity

— Motor Drive Control Solutions Provider

Selection Guide

Motor soft starters



VKS-8000series ▶ Built-in bypass soft starter



← VKS-8000series Built-in bypass soft starter

► More control

- VKS-8000 soft starter adopts a new generation of soft start technology, and adaptive control realizes the control of the motor acceleration curve and deceleration curve to an unprecedented level.
- The soft starter reads the data of the motor in the process of starting and stopping, and then adjusts to achieve the best effect. Just select the curve most suitable for your load type, and the soft starter will automatically ensure that the load is accelerated in the most stable way possible.

► Product feature

- VKS-8000 is a highly intelligent, very reliable and easy-to-use soft starter. The newly designed functions of VKS-8000 are used for quick setting or more personalized control. Its performance includes:
 - Large LCD screen that can display feedback information in Chinese and English languages, other languages can be customized.
 - Remotely installable operation panel.
 - Intuitive programming.
 - Advanced start and stop control functions.
 - A series of motor protection functions.
 - Extensive performance monitoring and event logging.

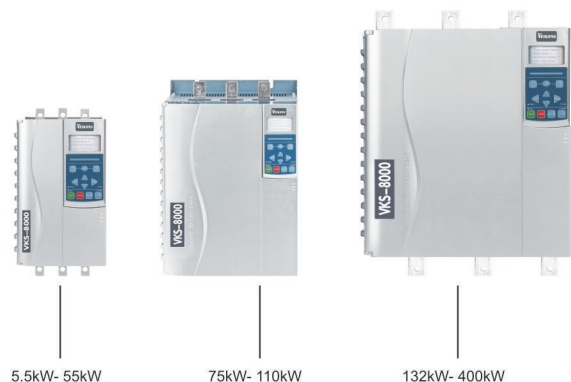
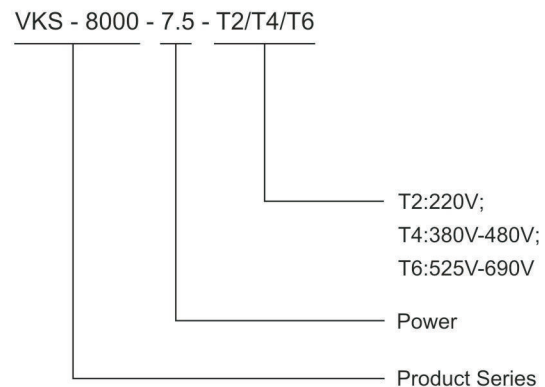
► Multiple starting control methods

- A variety of starting methods can meet your various load requirements, and users can choose the starting method according to their own load conditions.
- VKS-8000 simplifies the installation and operation of the motor starting system, thereby reducing installation costs and shortening installation time.

► Easy to use

- VKS-8000 is very easy to use whether it is during installation, debugging and use, or when troubleshooting.
- Quick setting can make the machine run quickly, the information screen can display various operating data, and the trip message can be displayed in language to explain exactly where the problem is.
- The control cable can be routed from the top, bottom or left. Very flexible and unique cable access and fixing devices make the installation faster and neater. You will soon experience how easy it is to use VKS-8000.

► Model selection definition



(The power range of 5.5kW~400kW is conventional 380V, 220V is required, and 690V needs to be ordered separately)

VKS-8000series ▶ Built-in bypass soft starter



▶ Real - time language display

VEIKONG hopes to make your work easy and worry-free, so VKS-8000 displays feedback information in real language, you don't have to check the code to understand what happened. With the help of real-time metering display and 10 event log records with time-stamped operation and performance details, tracking motor performance has never been easier.



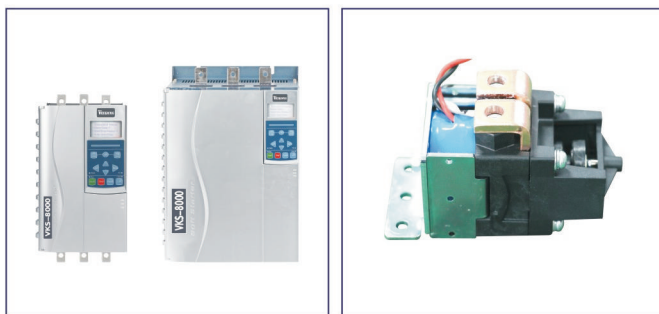
▶ Graphical display

With an optional panel mounting kit, the panel is easily mounted outside the cabinet.

If multiple soft starters are installed in a single cabinet to facilitate centralized control in one place, all relevant information can be obtained.

Multiple monitors can also be mounted side by side to quickly diagnose problems.

(after installation, the protection level is IP65)



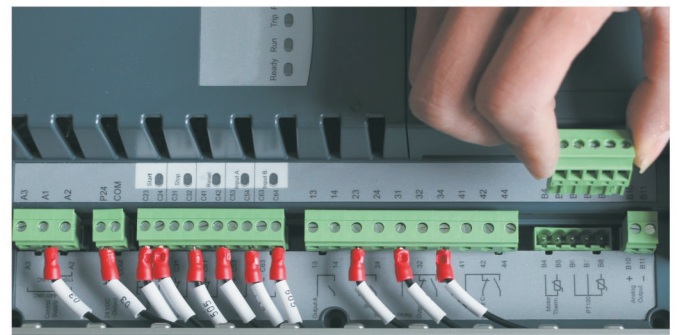
▶ Removable connectors and unique connectors

With plug - and - pull control wiring bar, it is easy to install. Simply unplug each wiring bar and reinsert the wiring bar after connecting.

Cables can be arranged using VKS-8000 flexible cable routing, which can be run from top, left or bottom.

▶ Bypass contactor

No need to install the external bypass contactor, the new built-in bypass contactor, compared with the ordinary AC contactor, performance improved by 3 times, heat dissipation 2.6 times, safety 25%, energy saving 20% service life up to 100,000 times.



► Size and weight

Voltage level	Rated working current	Rated power	Display mode	Para meter	Protect	Terminal	Overload capacity
380V	22A- 800A	11kW- 400kW	Chinese and English	132pcs	20 kinds	24pcs	150%Ie,35s 200%Ie,15s
690V	22A- 800A	11kW- 630kW					

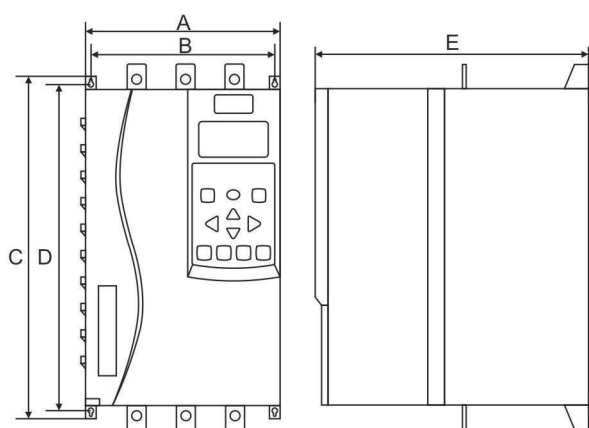


Figure 1 VKS-8000- 11kW~55kW

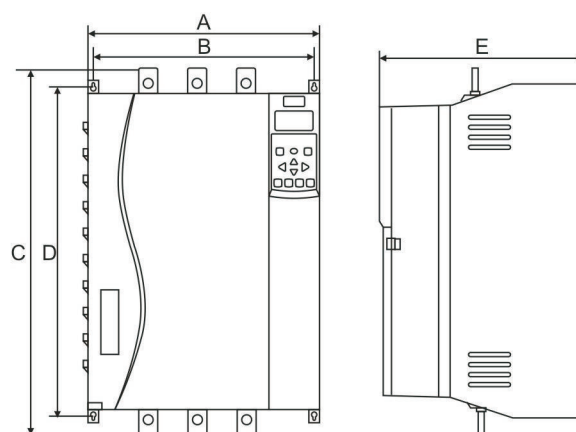


Figure 2 VKS-8000- 75kW~110kW

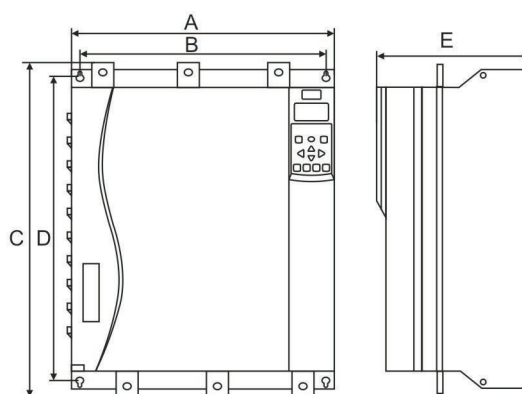
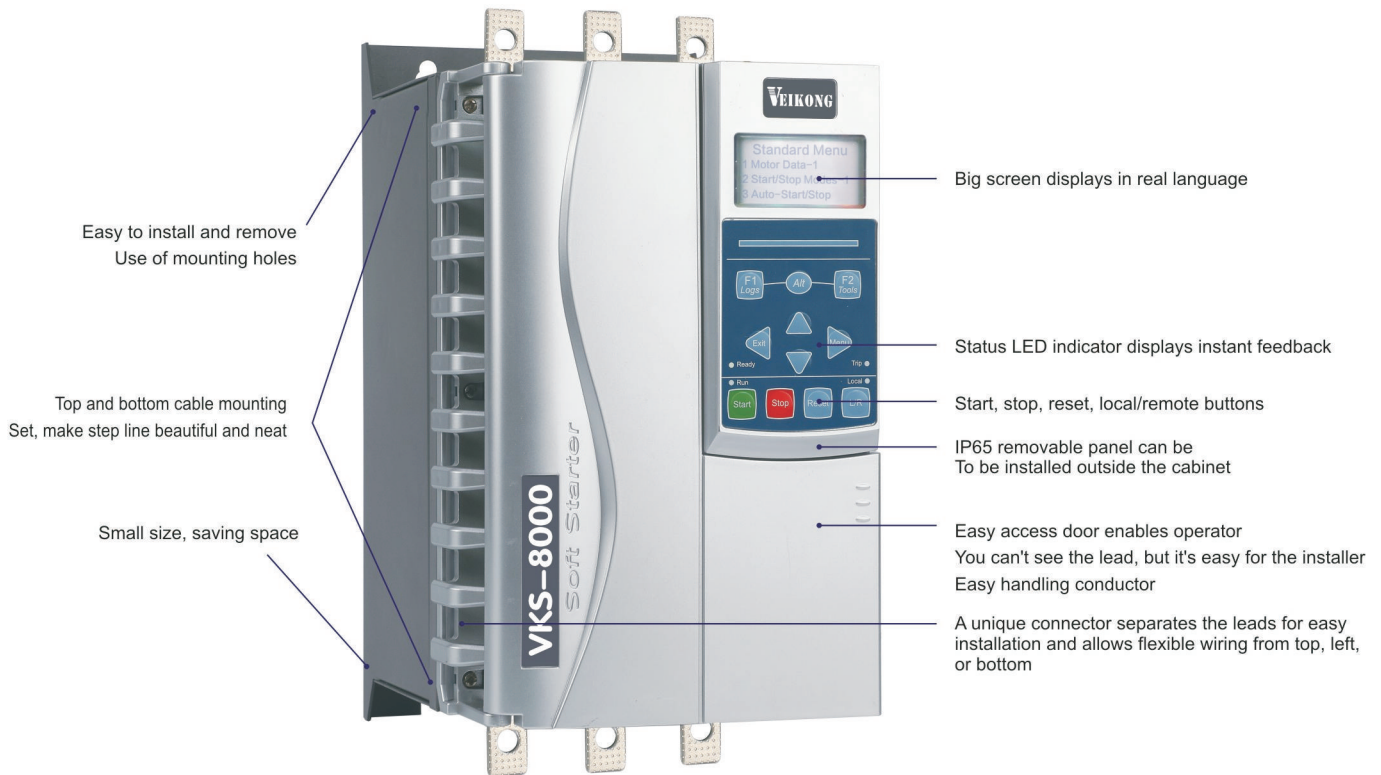


Figure 3 VKS-8000- 132kW~400kW

Specifications	Outline dimension(mm)			Install dimation(mm)			Draw
	A	C	E	B	D	d	
11kW- 55kW	152	292	215	92	269	M6	Figure 1
75kW- 110kW	274	408	260	160	385	M8	Figure 2
132kW- 400kW	440	530	290	320	530	M8	Figure 3

VKS-8000series ▶ Built-in bypass soft starter

▶ Soft starter function introduction



▶ Start function

- ▶ Square torque start
- ▶ Voltage ramp start
- ▶ Current limit start
- ▶ Kick start
- ▶ Jog start

▶ Operation panel

- ▶ Remote installation option
- ▶ Status LED indicator
- ▶ Clear screen
- ▶ Real language feedback
- ▶ Multi-language selection
- ▶ Shortcut button

▶ Protection

- ▶ Fully customizable protection
- ▶ Instantaneous overcurrent
- ▶ Motor thermistor input
- ▶ Auxiliary trip input
- ▶ Phase sequence
- ▶ Radiator overheated
- ▶ Under current
- ▶ Start time exceeded
- ▶ Frequency protection
- ▶ Short circuit SCR
- ▶ Power circuit
- ▶ Motor connection
- ▶ RS485 failure
- ▶ Motor overload
- ▶ Current imbalance
- ▶ Ground fault (optional)

▶ Run the simulation

In the absence of three-phase power or load motor, the soft start control loop can be tested, which is convenient for users to test.

▶ Protocol

The factory is Modbus protocol, and PROFIBUS communication protocol can be customized, which can facilitate communication with German Siemens PLC and touch screen.

▶ PPT100 temperature sensor

Working with an external PPT100 temperature sensor, it can display the motor temperature in real time and better monitor the electrical machine operation and protection of the motor.

▶ Password control

After the user parameter debugging is completed, it can be locked with a password to prevent others from changing the parameters. The remote mobile phone APP function can be customized, remote control can be used, and the soft start load operation can be monitored.

▶ Easier to install

If the space of the motor control center is limited, using the compact design of VKS-8000 can save space and eliminate unnecessary troubles. The built-in bypass contactor, built-in monitoring and indicator, and many control input and output functions can reduce the installation space and cost of external equipment, and can also simplify the installation.

▶ VKS-8000series Built-in bypass soft starter

External connection diagram

▶ Conventional

Current range.....23A- 800A (rated)
 Motor connection..... External or internal delta connection
 Bypass Integrated built-in or external

▶ Power supply

Supply voltage (L1, L2, L3)
 VKS-8xxx- T2.....220VAC ($\pm 10\%$)
 VKS-8xxx- T4.....380VAC ($\pm 10\%$)
 VKS-8xxx- T6.....690VAC ($\pm 10\%$)
 Control voltage(L,N) 110-220VAC ($+10\%/ -15\%$)
or 230-440VAC ($+10\%/ -15\%$)
 Power frequency..... 45-66Hz

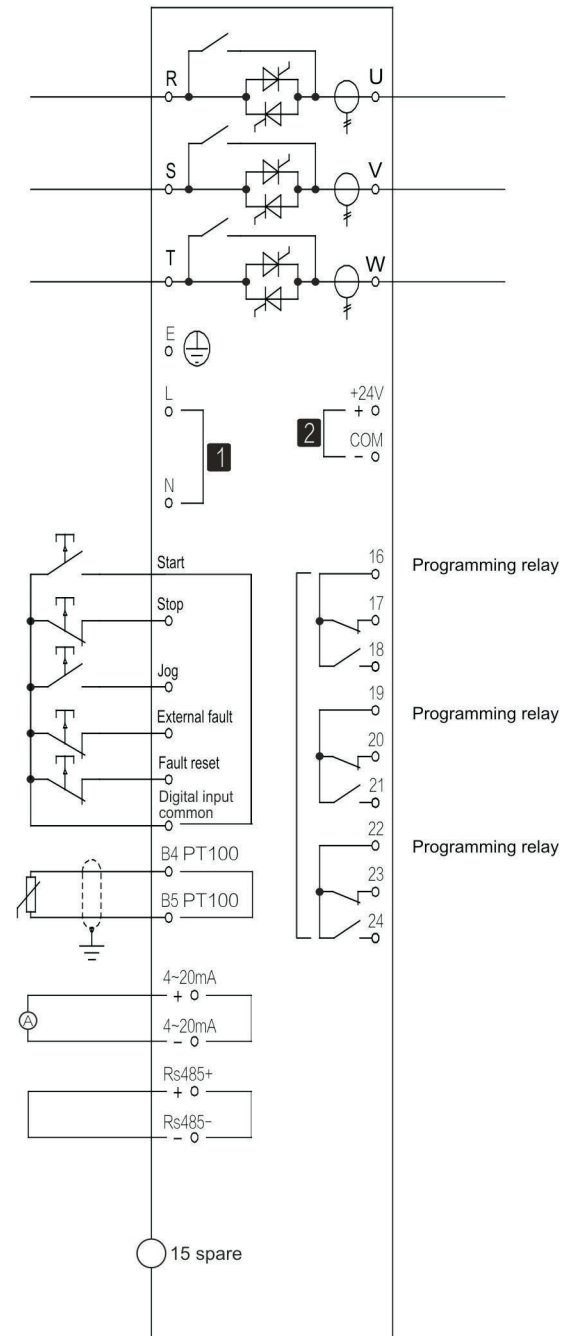
▶ Enter

Input..... Active 24VDC, about 8mA
 Start..... Normally open
 Stop..... Normally closed
 Jog.....Normally open
 Fault input..... normally closed
 Reset..... Normally closed
 Motor thermistor (PT100)

▶ Output

Relay output...10A @ 250VAC resistive circuit.....5A @ 250VAC
 Programming relay (16, 17, 18)..... normally open or normally closed
 Programming relay (19, 20, 21).....normally open or normally closed
 Bypass relay (22, 23, 24)..... normally open or normally closed

Programmable output
 Analog output (11, 12)... 0-20mA or 4-20mA
 24VDC out (1, 2)..... 200mA
 24VDC out (13, 14).....Communication output





SHENZHEN VEIKONG ELCTRIC CO., L TD.

Factory Address: Block E01,first industrial park lingbei 5 road ,
phoenix community,fuyong street , Bao'anDistrict, Shenzhen ,China
Technical Support Hotline: +86-0755-89587650

www.veikong-electric.com

© Shenzhen Veikong Elctric Co., Ltd. All rights reserved.

① Subject to change without notice. Please use the latest version, and Veikong Electronics has the final interpretation right;

② Due to limited layout, please contact us for more information!