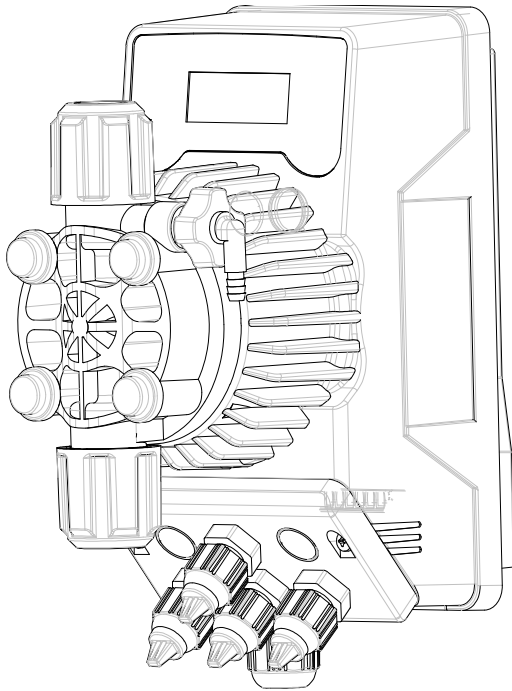


DOSING PUMP

KOMPACT SERIES – Solenoid Dosing Pump



Technical characteristics

- Flow rates:
 - 5 l/h at 8 bar
 - 3 l/h at 10 bar
- Power supply:
 - 240 Vac 50/60 Hz
 - 100÷240 Vac 50/60 Hz
 - 24 Vac/Vdc
- Stroke rate: 160 strokes/minute
- Pump head:
 - PVDF-T
- Diaphragm: PTFE
- External Enclosure: PP protection degree IP65
- Installation kit: Included

Seko Kompact Series is a simple solenoid dosing pump, operating with a micro-processor to manage the dosing. Its external enclosure has an IP55, which guarantees a protection versus splashing water and aggressive environments.

Kompact Analog version has a LED, which shows the state of the operation, according the dosing regulation, constant C or proportional P:

Constant

- Steady green LED switches off with every stroke (pump running)
- Flashing green LED when the potentiometer is to 0
- Steady red LED switches on with the low level alarm

Proportional

- Steady orange LED switches off with every stroke (pump running)
- Flashing orange LED when the potentiometer is to 0

Kompact Digital version is programmable via keyboard and 2 line x 8 digits backlighted display.

The pump head has a manual priming valve, the flow rate is manually or automatically (by signal input) adjustable from 0 (pump stop) to 100% of the max flow rate moreover it is equipped with the low level alarm to stop or not the pump and includes the installation kit as well.

Kompact pump can be fixed on wall by fixing bracket provide with the pump or top of drums by the optional foot fixing bracket.

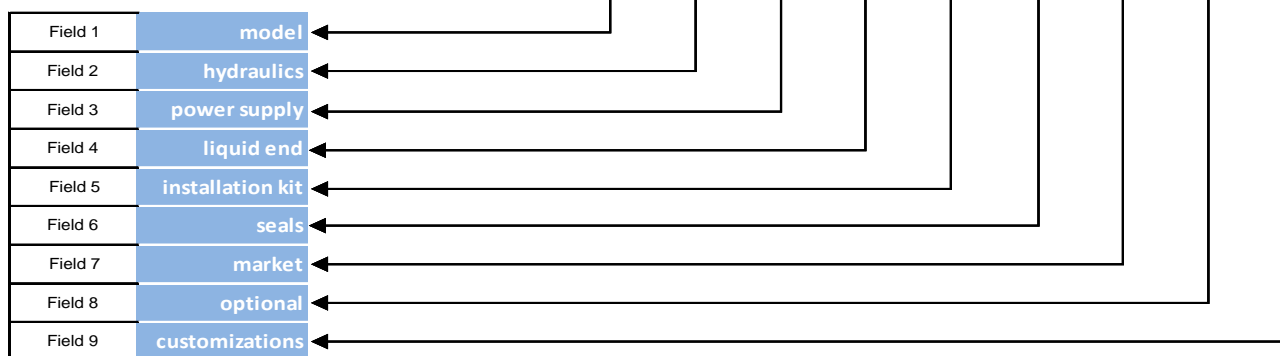
DOSING PUMP

KOMPACT SERIES – Solenoid Dosing Pump



PUMP KEY CODE

Field 1	Field 2	Field 3	Field 4	Field 5	Field 6	Field 7	Field 8	Field 9
AML	200	N	P	E	0	0	0	0



Field 1 model

- AMS** Analog - Constant flow rate, manually adjustable

- AML** Analog - Constant flow rate, manually adjustable, two frequency range 0÷20% (P position), 0÷100% (C position) of max flow rate, level control input

- AMM** Analog - Constant flow rate (manually adjustable) and proportional flow rate according to an external analog (4-20 mA) signal, level control input

- AMC** Analog - Constant flow rate (manually adjustable) and proportional flow rate according to an external digital (water meter) signal, Division mode 4:1, level control input

- DPT** Digital - Constant flow rate manually adjustable, with proportional flow rate according to an external analog (0/4-20 mA or 20-4/0 mA) or digital signal (water meter, hall sensor or voltage signal); Timed dosing with a weekly programmable timer; Dosage in ppm; Dosage batch; Statistics; Password; Input ON-OFF (remote switch).

- DRP** Digital - Constant flow rate manually adjustable, with proportional flow rate according the measured pH or Redox value. PT100 probe input (thermal compensation). Input On-Off (remote control)

Field 2 hydraulics	bar	l/h	stroke/1'	ml/stroke	tubing Ø	consumption
200	8	5	160	0,52	in - 4/6	
	10	3		0,31	out - 4/6	

Field 3 power supply

- A** 230 Vac 50 Hz - **AMS only**

- N** 100÷240 Vac 50/60 Hz

- O** 24 Vac / Vdc

Field 4 liquid end

	Body	Balls	Seals	Diaphragm
P	PVDF-T	Ceramic	FPM	PTFE
C	PVDF-T	Ceramic	FPM / EPDM	PTFE <i>for CAR WASH use</i>
H	PVDF	Ceramic	FPM / EPDM	PTFE

Field 5 installation kit

- E** PVDF-T

- H** PVDF

Technical data can be changed without notice.
TD_Kompact Series_rev.0.2

DOSING PUMP

KOMPACT SERIES – Solenoid Dosing Pump



PUMP KEY CODE

Field 1	Field 2	Field 3	Field 4	Field 5	Field 6	Field 7	Field 8	Field 9
AML	200	N	P	E	0	0	0	0

Field 7 **market**
 0 ALL

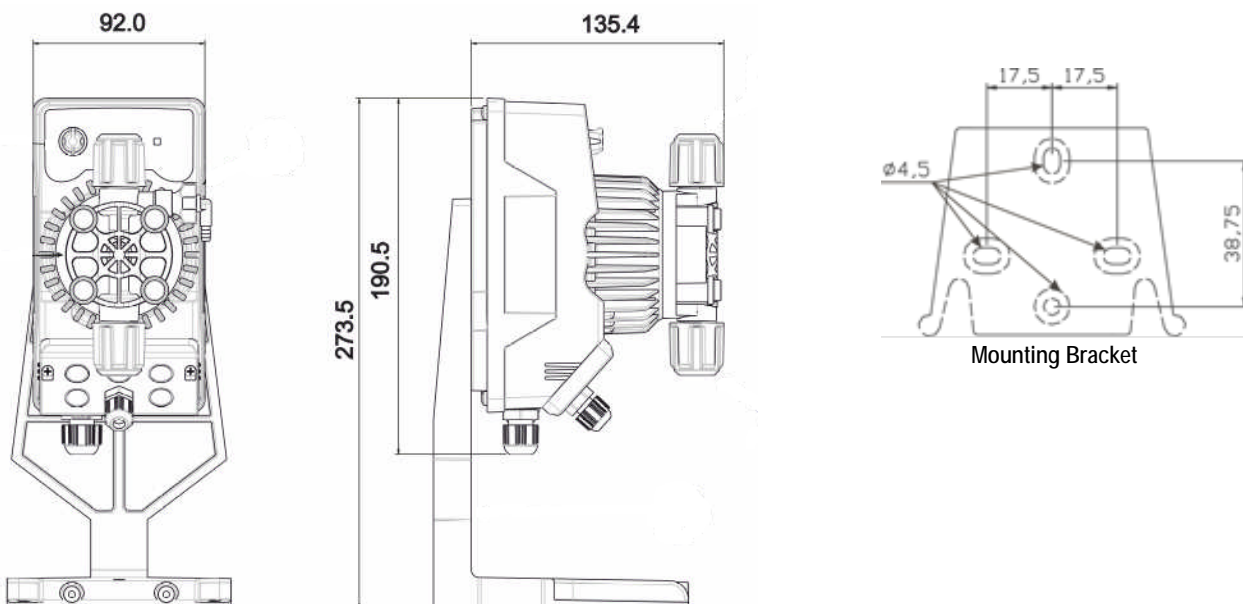
Field 8 **optional**
 0 standard

Field 9 **customization**
 0 standard

HYDRAULIC CHARACTERISTICS

Pump Model	Stroke/1'	Flow rate				Power supply
		l/h	bar	l/h	bar	
A M S 2 0 0 A	160	5	8	3	10	240 Vac
A M S 2 0 0 O	160	8	2	6	5	24 Vac
A M S 2 0 0 A	160	7	2			24 Vdc
A M L 2 0 0 N	160	5	8	3	10	100÷240 Vac
A M M 2 0 0 N	160	5	8	3	10	100÷240 Vac
A M C 2 0 0 N	160	5	8	3	10	100÷240 Vac
D P T 2 0 0 N	160	5	8	3	10	100÷240 Vac
D P T 2 0 0 O	160	8	2	6	5	24 Vac
D P T 2 0 0 O	160	7	2			24 Vdc
D R P 2 0 0 N	160	5	8	3	10	100÷240 Vac
D R P 2 0 0 O	160	8	2	6	5	24 Vac
D R P 2 0 0 O	160	7	2			24 Vdc

DIMENSIONS*



*The dimension are the same for all models

Technical data can be changed without notice.
 TD_Kompact Series_rev.0.2