

### Technical characteristics

- Flow rates: from 0.4 to 54 l/h
- Max back pressure: up to 20 bar
- Power supply:
  - 100÷240 Vac - 50/60 Hz
- Stroke rate: from 120 to 300 strokes/minute
- Pump head: PVDF
- Diaphragm: PTFE
- External Enclosure: PP reinforced with fiber glass  
protection degree IP65
- Manually priming valve
- Installation kit: Included

Seko Tekna EVO AKS Series is an analogic dosing pump with constant flow rate, which is manually adjustable by a knob mounted on the front panel.

The flow rate has two frequency ranges:

- 0÷20 % of max flow rate
- 0÷100% of max flow rate

With only 5 sizes that pump can cover a wide range of performances, having a flow rate range from 0.4 to 54 l/h and a back pressure from 0.1 to 20 bar. The power supply is 100÷240 Vac – 50/60 Hz therefore the same pump can operate with different supply voltage.

The standard pump head is in PVDF, therefore high chemical compatibility with several liquids end but is available in PVC as well, on request.

All Tekna series are equipped with a manually priming pump for the start up.

The pump is furnished with a complete standard installation kit, which includes: PVDF foot filter and injection valve, PVC suction tube, PE delivery tube. Moreover is available an installation kit in PVDF-T, on request.

### PUMP KEY CODE

<b>1°</b>	<b>Model</b>					
AKS	Analog dosing pump with constant flow rate manually adjustable. Two frequency range 0÷20% and 0÷100% of max flow rate. Power ON led indicator.					
<b>2°</b>	<b>Hydraulic</b>					
	<b>Model</b>	<b>Pressure [bar]</b>	<b>Flow rate [l/h]</b>	<b>Stroke/min</b>	<b>cc/stroke</b>	
	600	20	2,5	120	0,35	
		18	3		0,42	
		14	4,2		0,58	
		8	7		0,97	
	603	12	4	160	0,42	
		10	5		0,52	
		8	6		0,63	
		2	8		0,83	
	800	16	7	300	0,39	
		10	10		0,55	
		5	15		0,83	
		1	18		1,00	
	803	5	20	300	1,11	
		4	25		1,39	
		2	38		2,11	
		0,1	54		3,00	
<b>3°</b>	<b>Power supply</b>					
	N	100÷240 Vac				
	L	12 Vdc (only for AKS 812)				
<b>4°</b>	<b>Liquid end</b>					
		<b>Pump head</b>	<b>Connection</b>	<b>Balls</b>	<b>Diaphragm</b>	
	H	PVDF	PVDF	Ceramic	PTFE	
	P*	PVC	PVC	Ceramic	PTFE	
		*Head pump with automatic degassing valve, only for 603 and 800 series				
<b>5°</b>	<b>Installation kit</b>					
	H	PVDF				
	P	PVDF-T				
<b>6°</b>	<b>Seals</b>					
	0	FPM				
	1	EPDM				
	2	PTFE				
<b>7°</b>	<b>Option</b>					
	000	Standard				

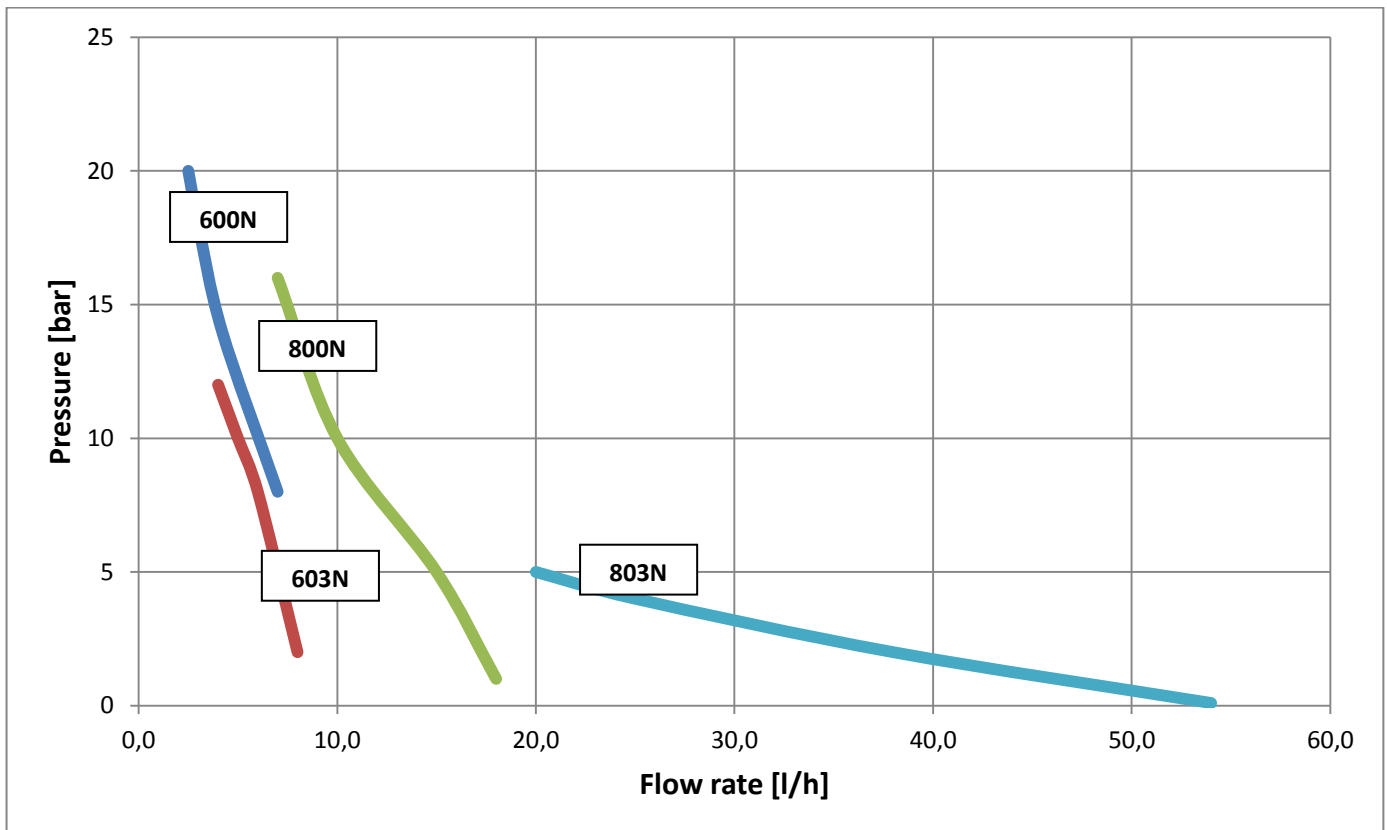
  

AKS	600	N	H	H	0	000
-----	-----	---	---	---	---	-----

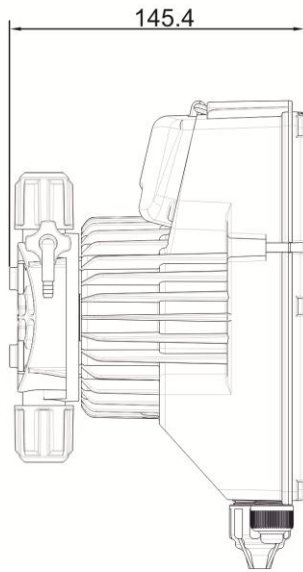
### HYDRAULIC CHARACTERISTICS

Pump Model	Pressure [bar]	Flow Rate [l/h]	Frequency max [stroke/min]	Stroke capacity [cc/stroke]	Connection [mm]		Power supply	Consumption [W]	
					Suction	Discharge		Min	Max
AKS 600N	20	2,5	120	0,35	4/6	4/7	100÷240 Vac	8,0	15,0
	18	3		0,42					
	14	4,2		0,58					
	8	7		0,97					
AKS 603N	12	4	160	0,42	4/6	4/6	100÷240 Vac	9,0	28,0
	10	5		0,52					
	8	6		0,63					
	2	8		0,83					
AKS 800N	16	7	300	0,39	4/6	4/6	100÷240 Vac	15,0	26,0
	10	10		0,56					
	5	15		0,83					
	1	18		1,00					
AKS 803N	5	20	300	1,11	8/12	8/12	100÷240 Vac	15,0	25,0
	4	25		1,39					
	2	38		2,11					
	0,1	54		3,00					

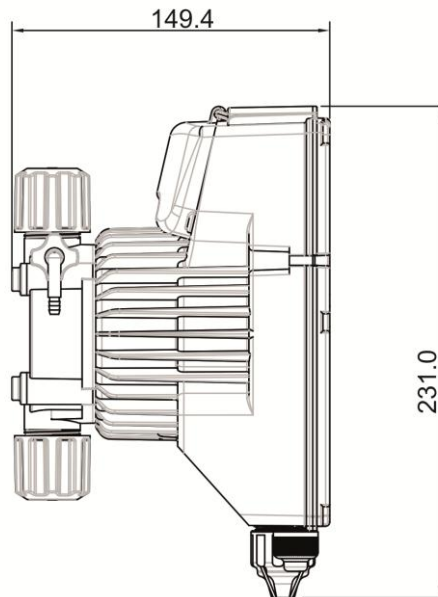
\*Minimum consumption at 0 bar of back pressure (Patented)



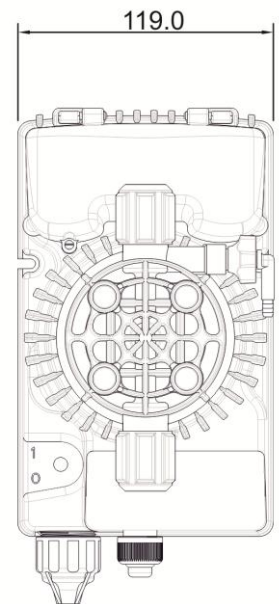
### DIMENSIONS



**600 - 603 - 800 - 812**



**803**



**600 - 603 - 812 - 800 - 803**

### INSTALLATION KIT

	PVDF	PVDF-T
PVDF foot filter	●	
PVDF injection valve	●	
PVDF-T foot filter		●
PVDF-T Injection valve		●
PVC suction tube (4 m)	●	
PE delivery tube (2 m)	●	